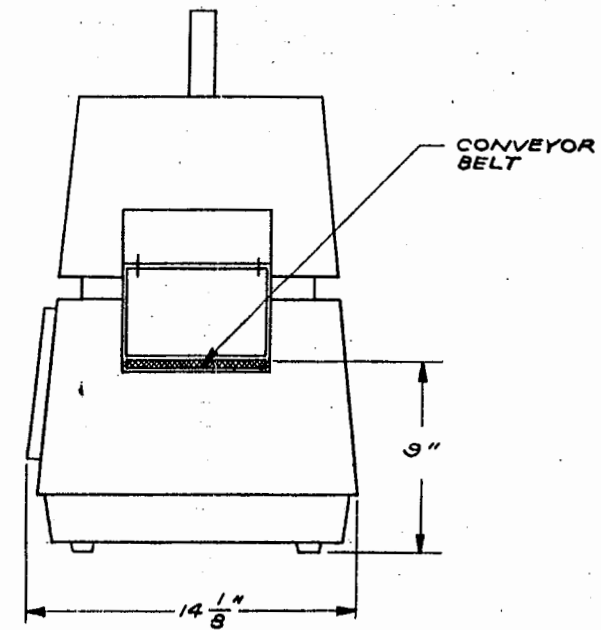
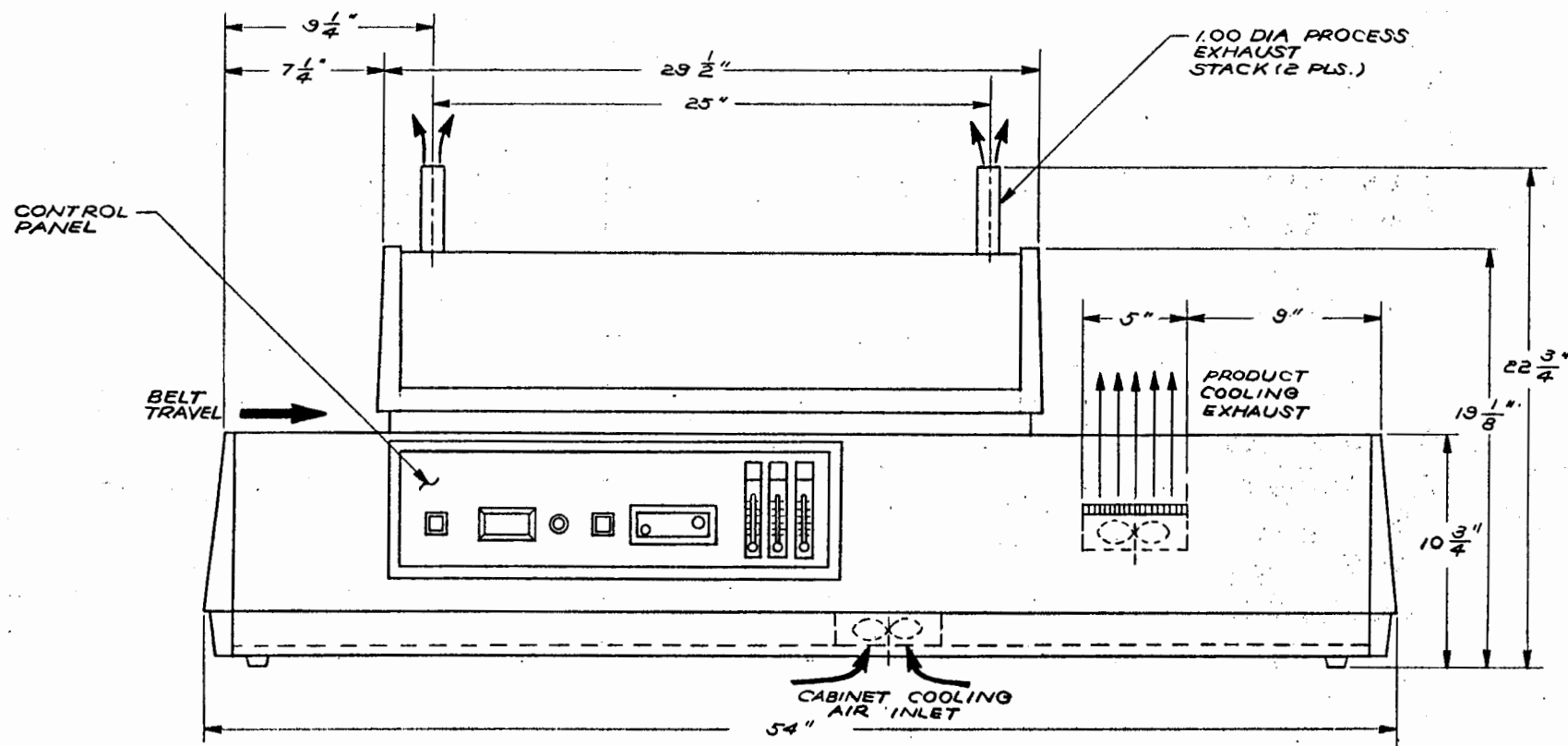
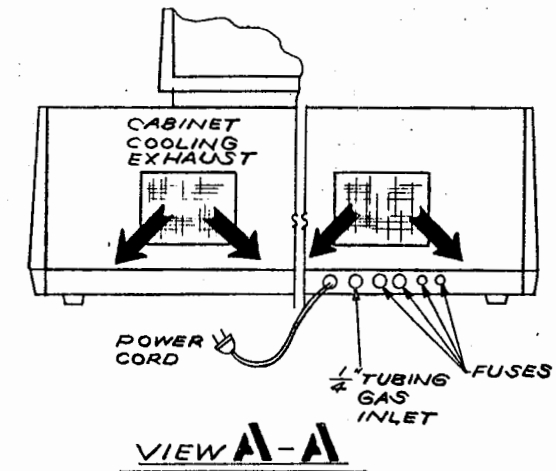
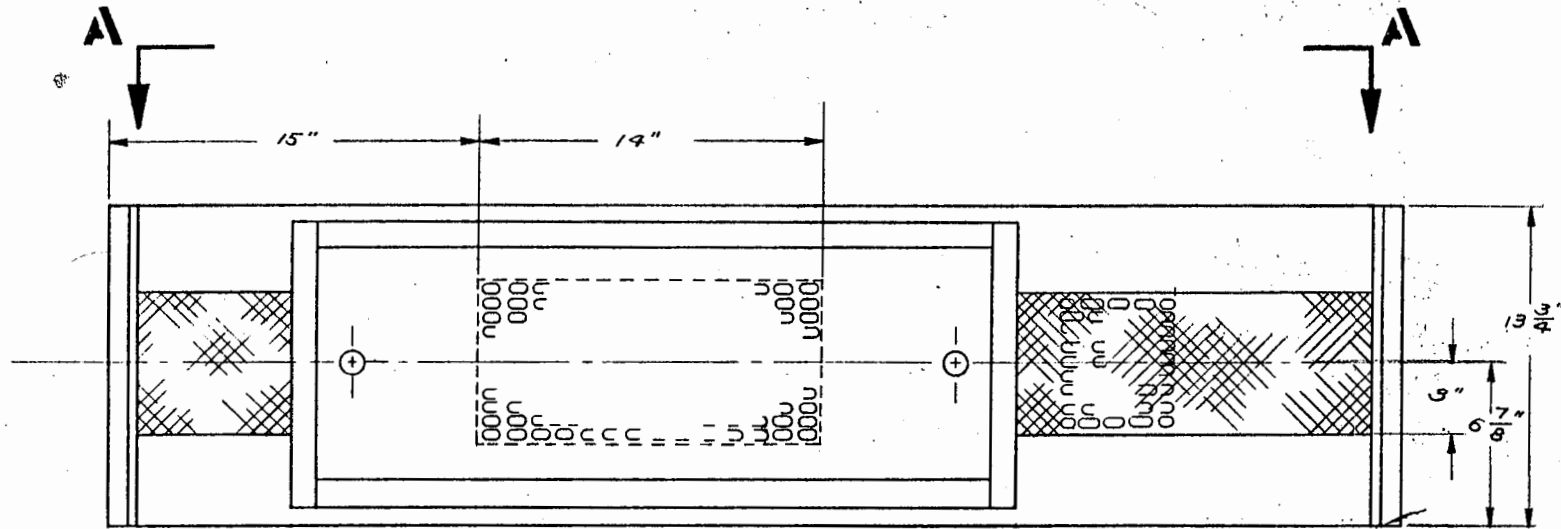


THIS DOCUMENT CONTAINS PROPRIETARY INFORMATION NOT TO BE REPRODUCED, TRANSFERRED TO OTHER DOCUMENTS, DISCLOSED TO OTHERS USED FOR MANUFACTURING OR FOR ANY OTHER PURPOSE WITHOUT PRIOR WRITTEN PERMISSION OF RADIANT TECHNOLOGY CORPORATION.

100289-01		1 A	
REVISIONS			
ZONE	REV	DESCRIPTION	DATE
A	PROD. REL.	PER E.O. 00517	12-3-85



2. DIMENSIONS SHOWN FOR INSTALLATION REFERENCE ONLY

1. MAXIMUM PARTS HEIGHT 4 INCHES.

NOTES:

	M100
POWER CONSUMPTION (PEAK)	3.5 KW
(AVERAGE)	1.2 KW
GAS CONSUMPTION (MAX)	300 SCFH
GAS PRESSURE REQ. (MAX.)	100 PSIG
(MIN.)	30 PSIG
PROCESS EXHAUST (MAX.)	250 SCFH
(MAX.)	250°C
PRODUCT COOLING (MAX.)	75 CFM
EXHAUST	

UNLESS OTHERWISE SPECIFIED DIMENSIONS ARE IN INCHES TOLERANCES ARE: FRACTIONS DECIMALS ANGLES ± .XX ± .XXX ± °		CONTRACT NO.		radiant technology corp. 12066 Berryman Street • Carlsbad, California 92001	
MATERIAL		APPROVALS	DATE	INSTALLATION DRAWING	
FINISH		K. KIM	11-21-85	INFRARED FURNACE,	
NEXT ASSY		CHECKED	2-18-86	M-100 & SMD-206	
USED ON		ISSUED		SIZE	FRGM NO.
APPLICATION		DO NOT SCALE DRAWING		D	100289-01
				SCALE	SHEET 1 OF 1