

GRINDER/ POLISHERS



METASERV® 2000 Grinder/Polishers

The METASERV 2000 series of Grinder/Polishers from BUEHLER® offers a combination of performance, economy and reliability for microstructural analysis applications. Designed for both manual grinding and polishing as well as for semiautomatic polishing when used in conjunction with AUTOPOL Polishing Attachments, METASERV 2000 Grinder/Polishers provide the following:

- Operation with 8", 10", or 12" wheels
- Single or twin wheel models
- Single or variable wheel speeds
- High torque motors
- New water, drain, and bowl wash system
- Heavy-duty cast aluminium chassis
- Quiet belt-driven operation
- Attractive, ergonomic design
- Designed to conform to International and European Standards IEC 204-1, EN 60-204 and EN 292

METASERV 2000 Grinder/Polishers . . . the "value family" of metallographic grinder/polishers, only from BUEHLER!

Technical Data

Mains Power

- 100-115V/60Hz/1phase or 220-240V/50Hz/1 phase
- Variable speed units can operate on all single phase voltages

Wheel Speeds

- Single, 300 rpm; variable
- 50-500 rpm

Controls

- Motor on/off
- Water on/off
- Speed potentiometer (variable speed models only)
- Water flow control valve

Other Features

- Molded case for corrosion resistance and ease of cleaning
- Bowl wash and large drain
- Belt-driven wheel for quiet operation
- PVC wheels

Weights

- METASERV 2000, 12": 70 lbs. (32kg)
- METASERV 2000, 8" and 10": 44 lbs. (20kg)
- METASERV 2000, 8" and 10" twin: 75 lbs. (34kg)

METASERV® 2000

BUEHLER®



Specifications

All METASERV® 2000 Grinder/Polishers are provided complete with PVC wheel(s), cloth clamp(s) and paper holding band(s), splash ring(s), cover(s), mains power cord and operating instructions.

Selection Chart

Item Number	Wheel Qty. & Size	Wheel Speed rpm	Mains Power
95-2801	1 x 12" (305mm)	50-500	all 1 φ
95-2809	1 x 8" (203mm)	50-500	all 1 φ
95-2806	1 x 10" (254mm)	50-500	all 1 φ
95-2810-160	1 x 8" (203mm)	300	100-115V/60Hz/1 φ
95-2807-160	1 x 10" (254mm)	300	100-115V/60Hz/1 φ
95-2810-250	1 x 8" (203mm)	300	220-240V/50Hz/1 φ
95-2807-250	1 x 10" (254mm)	300	220-240V/50Hz/1 φ
95-2829	2 x 8" (203mm)	50-500	all 1 φ
95-2816	2 x 10" (254mm)	50-500	all 1 φ
95-2830-160	2 x 8" (203mm)	300	100-115V/60Hz/1 φ
95-2817-160	2 x 10" (254mm)	300	100-115V/60Hz/1 φ
95-2830-250	2 x 8" (203mm)	300	220-240V/50Hz/1 φ
95-2817-250	2 x 10" (254mm)	300	220-240V/50Hz/1 φ

Accessories

No. 95-2813 PVC Wheel, 8" (203mm) diameter.

No. 95-2814 Aluminium Wheel, 8" (203mm) diameter.

No. 95-2617 Cast Iron Lapping Platen, 8" (203mm) diameter.

No. 95-2823 PVC Wheel, 10" (254mm) diameter.

No. 95-2824 Aluminium Wheel, 10" (254mm) diameter.

No. 95-2827 Cast Iron Lapping Platen, 10" (254mm) diameter.

No. 95-2653 PVC Wheel, 12" (305mm) diameter.

No. 95-2658 Aluminium Wheel, 12" (305mm) diameter.

No. 95-2657 Cast Iron Lapping Platen, 12" (305mm) diameter.

No. 95-2600 AUTOPOL 1 Polishing

Attachment, for METASERV 2000 8" and 10" Grinder/Polishers. Supplied complete with specimen holder and spacers to accommodate up to six 1" or 1 1/4" specimens.

No. 95-2603 AUTOPOL 2 Polishing

Attachment, for METASERV 2000 12" Grinder/Polishers. Supplied complete with specimen holder and spacers to accommodate up to twelve 1" or 1 1/4" specimens.

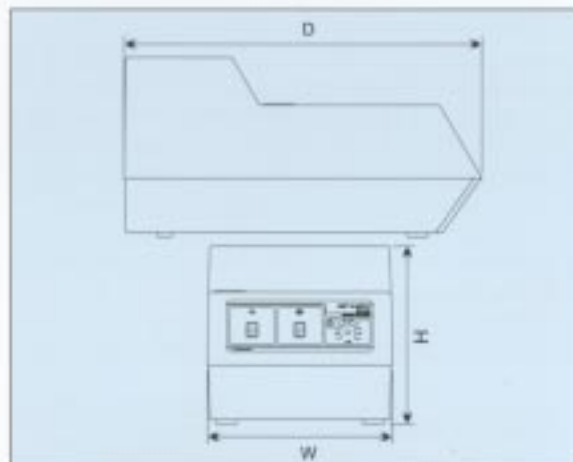
For a complete listing of BUEHLER Consumable Supplies for use with the METASERV 2000 Grinder/Polishers, contact your local BUEHLER sales office.



8" grinder/polisher with AUTOPOL 1 Polishing Attachment.



Twin unit equipped with 10" wheels.



Dimensions

Unit	Width	Depth	Height
12"	17.0" (430mm)	28.8" (731mm)	12.8" (326mm)
8 and 10"	13.3" (339mm)	25.8" (656mm)	12.8" (326mm)
Twin	25.6" (650mm)	25.9" (658mm)	12.7" (322mm)

